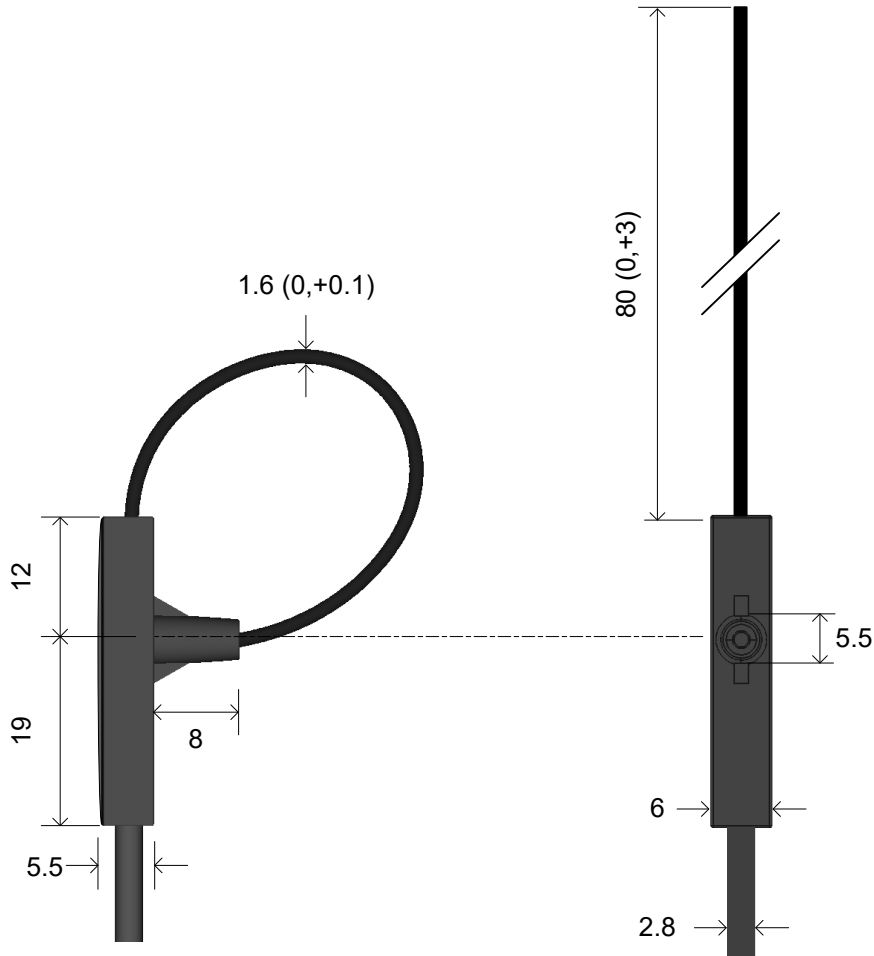
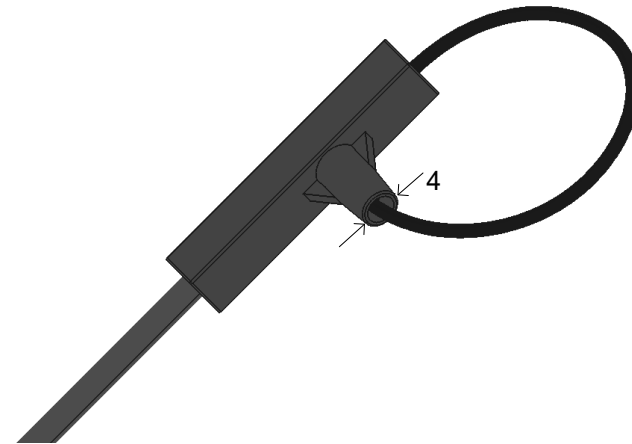


Design file	Dimension Drawing
Product file	CWTUM
Revision date	March 2024
Issue No.	03
Sheet No.	1 of 3
Notes	For Guidance ONLY

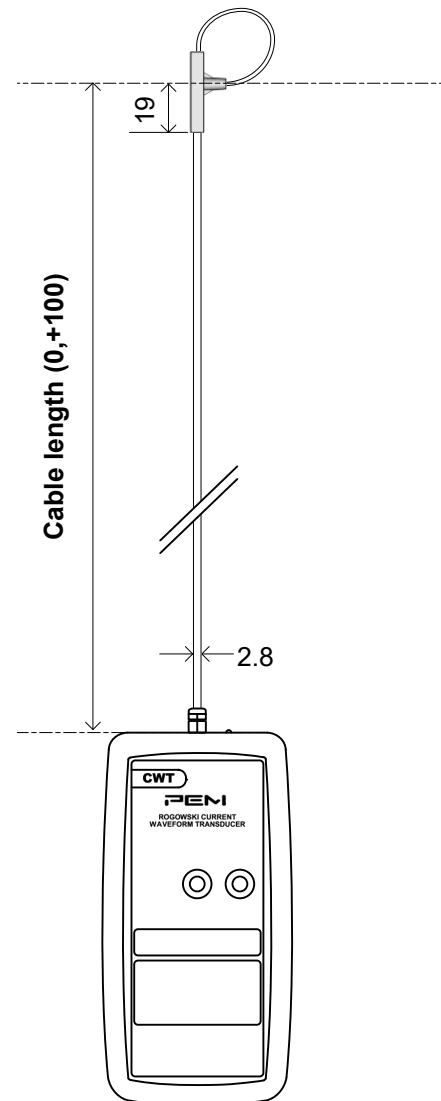


Minimum Bend Radius: 10mm

The standard 'Coil length' is 80mm though longer coils can be made to meet specific requirements.



Design file	Dimension Drawing
Product file	CWTUM
Revision date	March 2024
Issue No.	03
Sheet No.	2 of 3
Notes	For Guidance ONLY



Cable length from our standard range is 1m.

Longer cables can be made to meet specific requirements.

For tolerance information on longer cables please contact PEM.

**All dimensions mm
Drawing Not To Scale**

Design file	Dimension Drawing
Product file	CWTUM
Revision date	March 2024
Issue No.	03
Sheet No.	3 of 3
Notes	For Guidance ONLY

