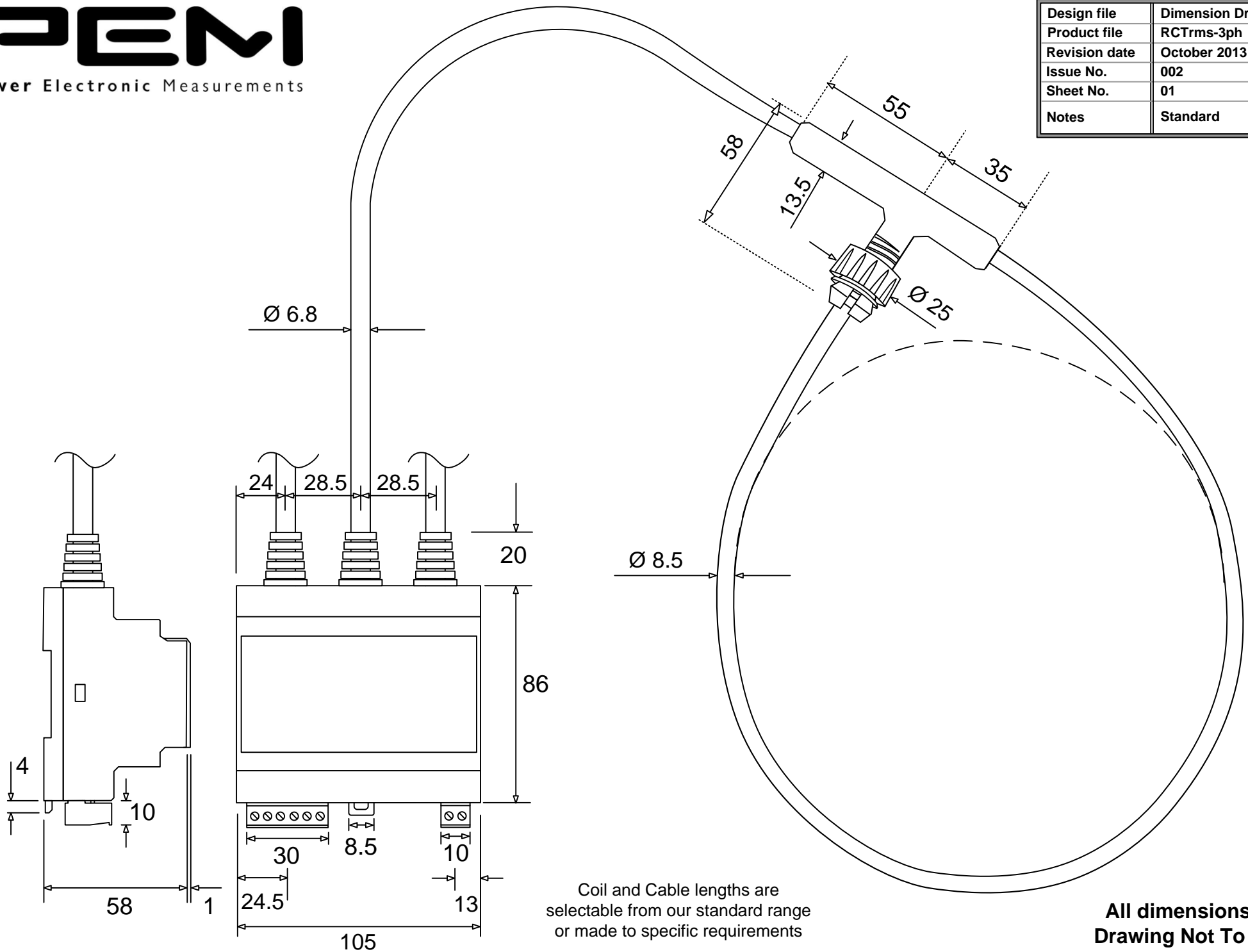
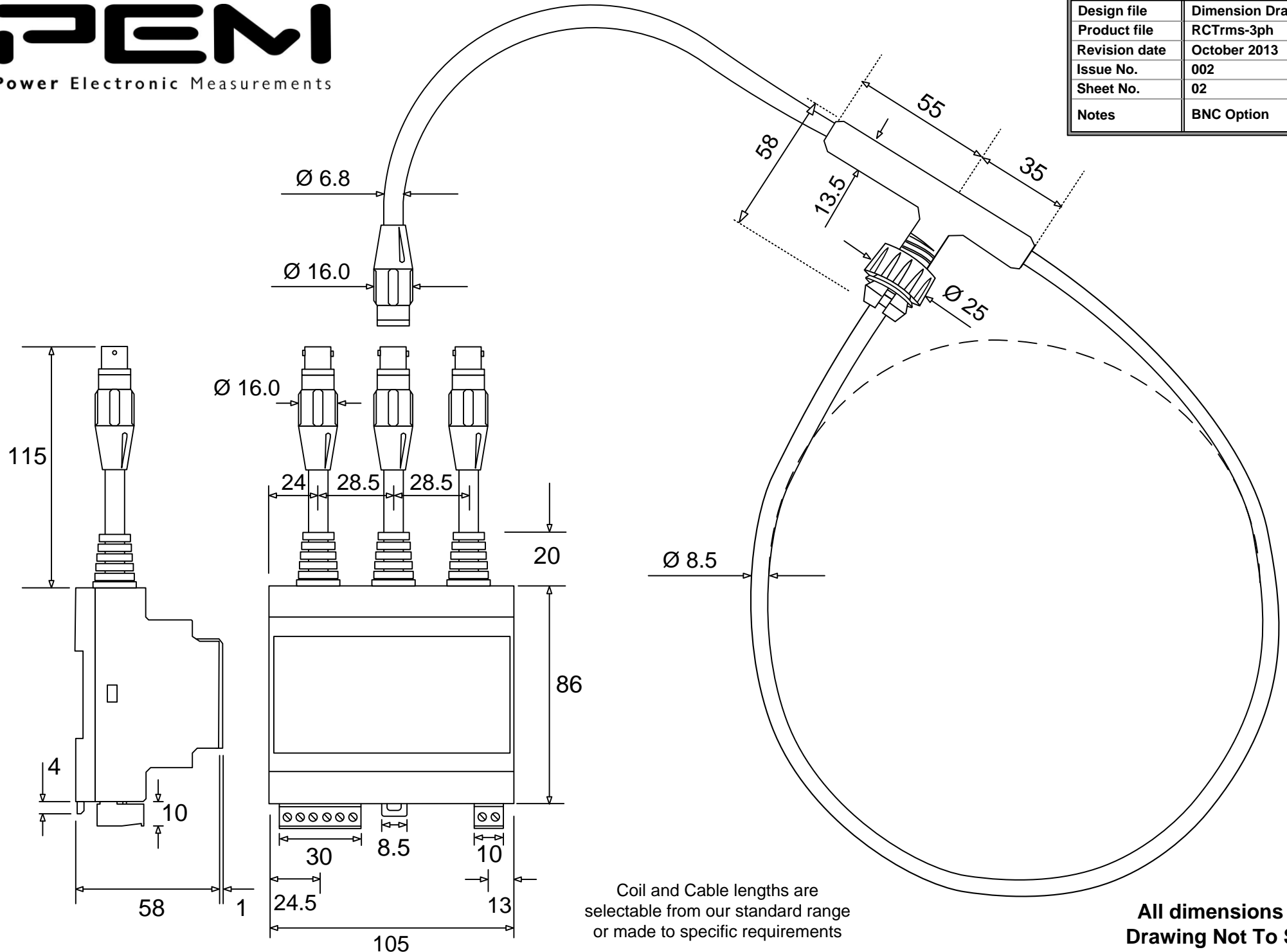


Design file	Dimension Drawing
Product file	RCTrms-3ph
Revision date	October 2013
Issue No.	002
Sheet No.	01
Notes	Standard



Design file	Dimension Drawing
Product file	RCTrms-3ph
Revision date	October 2013
Issue No.	002
Sheet No.	02
Notes	BNC Option



Coil and Cable lengths are selectable from our standard range or made to specific requirements

**All dimensions mm  
Drawing Not To Scale**