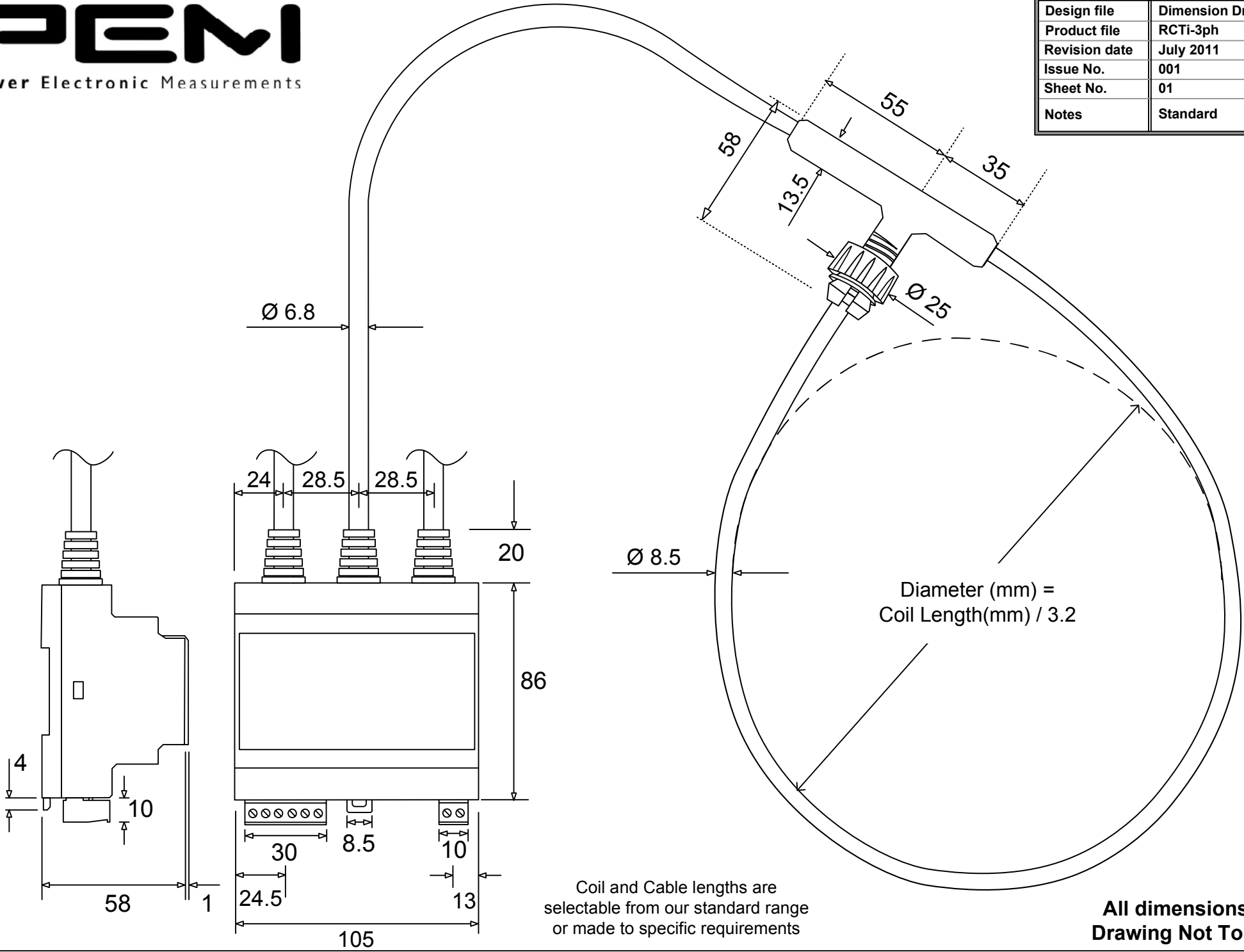


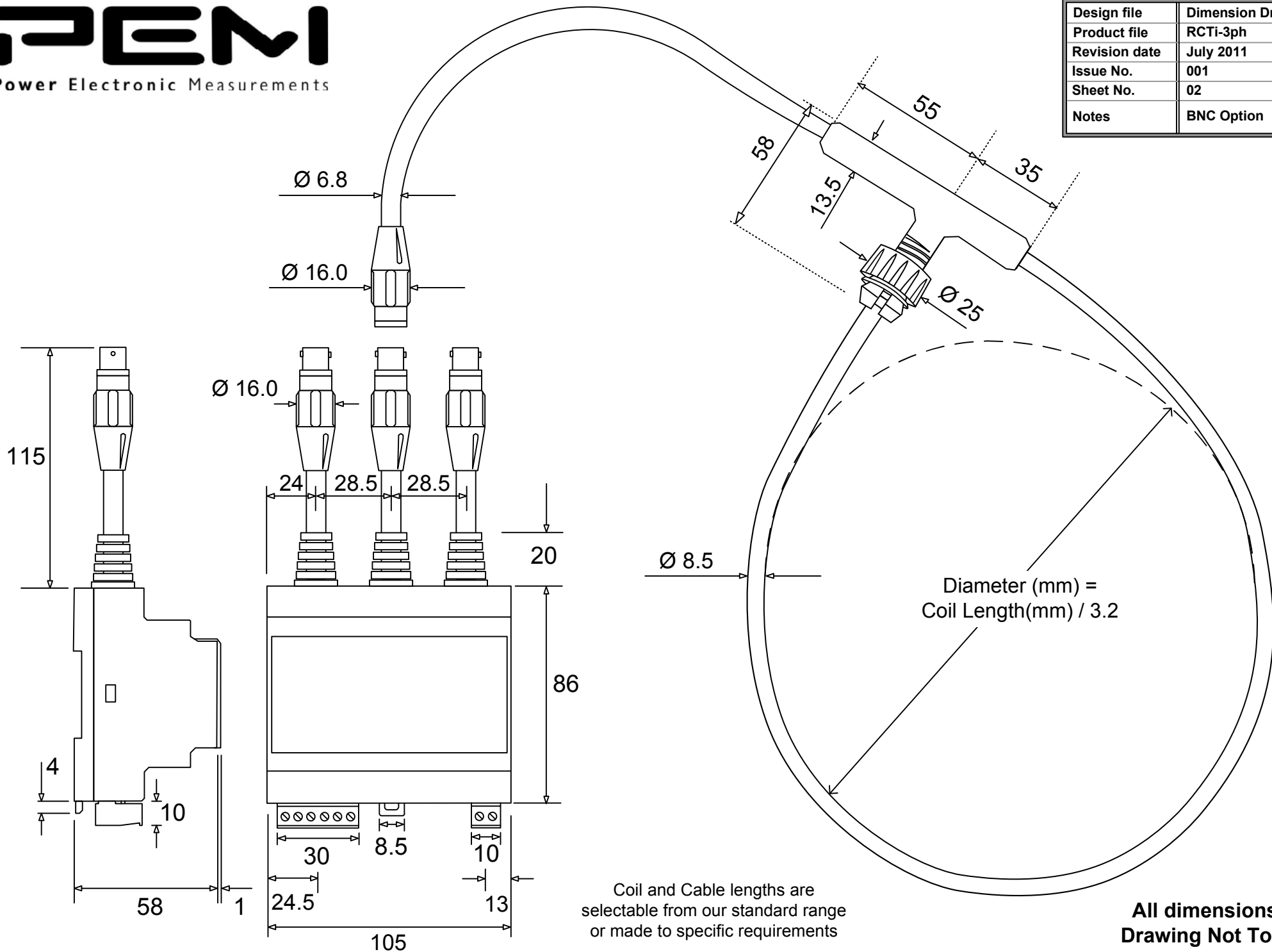
Design file	Dimension Drawing
Product file	RCTi-3ph
Revision date	July 2011
Issue No.	001
Sheet No.	01
Notes	Standard



Coil and Cable lengths are selectable from our standard range or made to specific requirements

**All dimensions mm
Drawing Not To Scale**

Design file	Dimension Drawing
Product file	RCTi-3ph
Revision date	July 2011
Issue No.	001
Sheet No.	02
Notes	BNC Option



Coil and Cable lengths are selectable from our standard range or made to specific requirements

**All dimensions mm
Drawing Not To Scale**