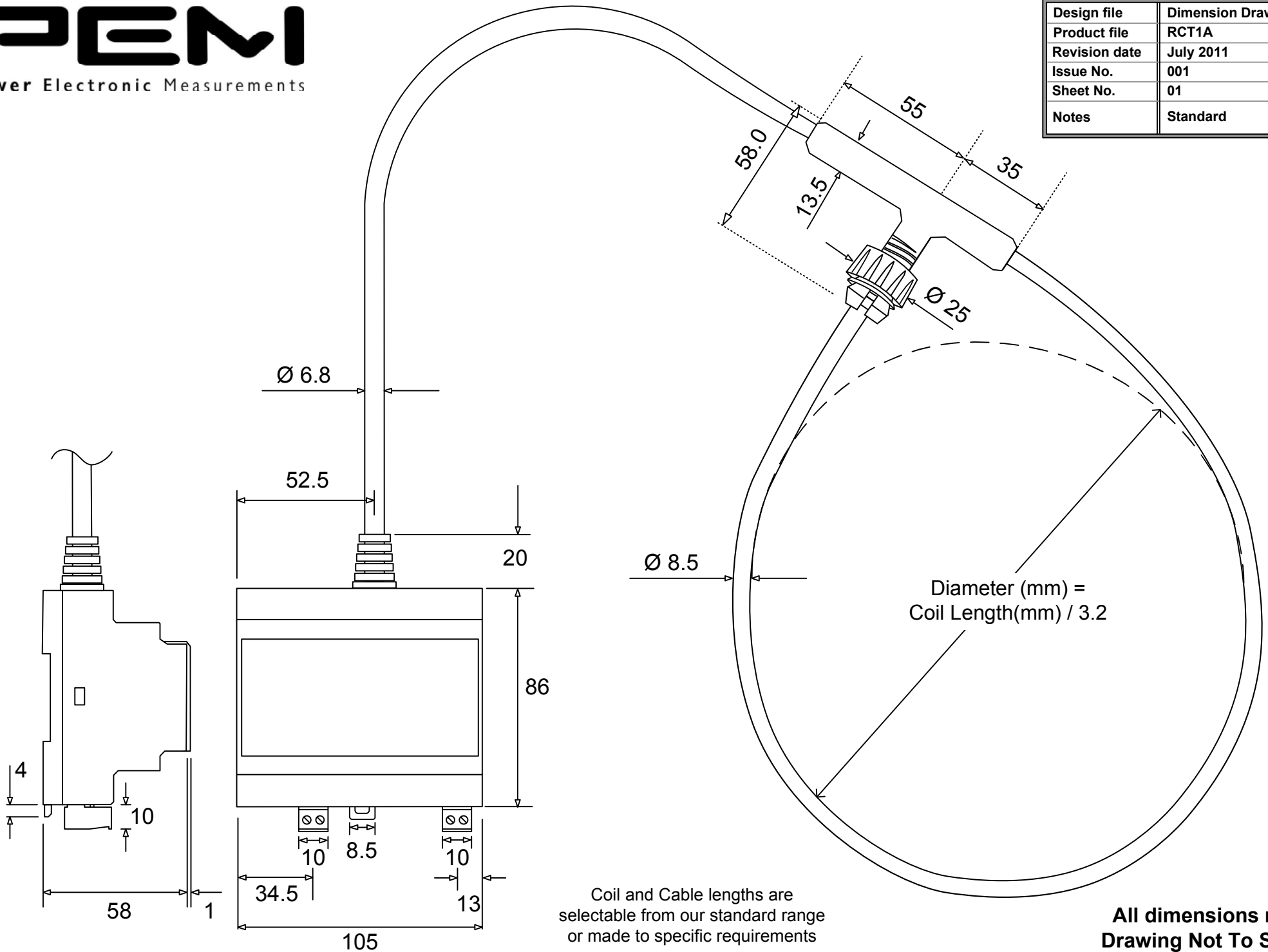


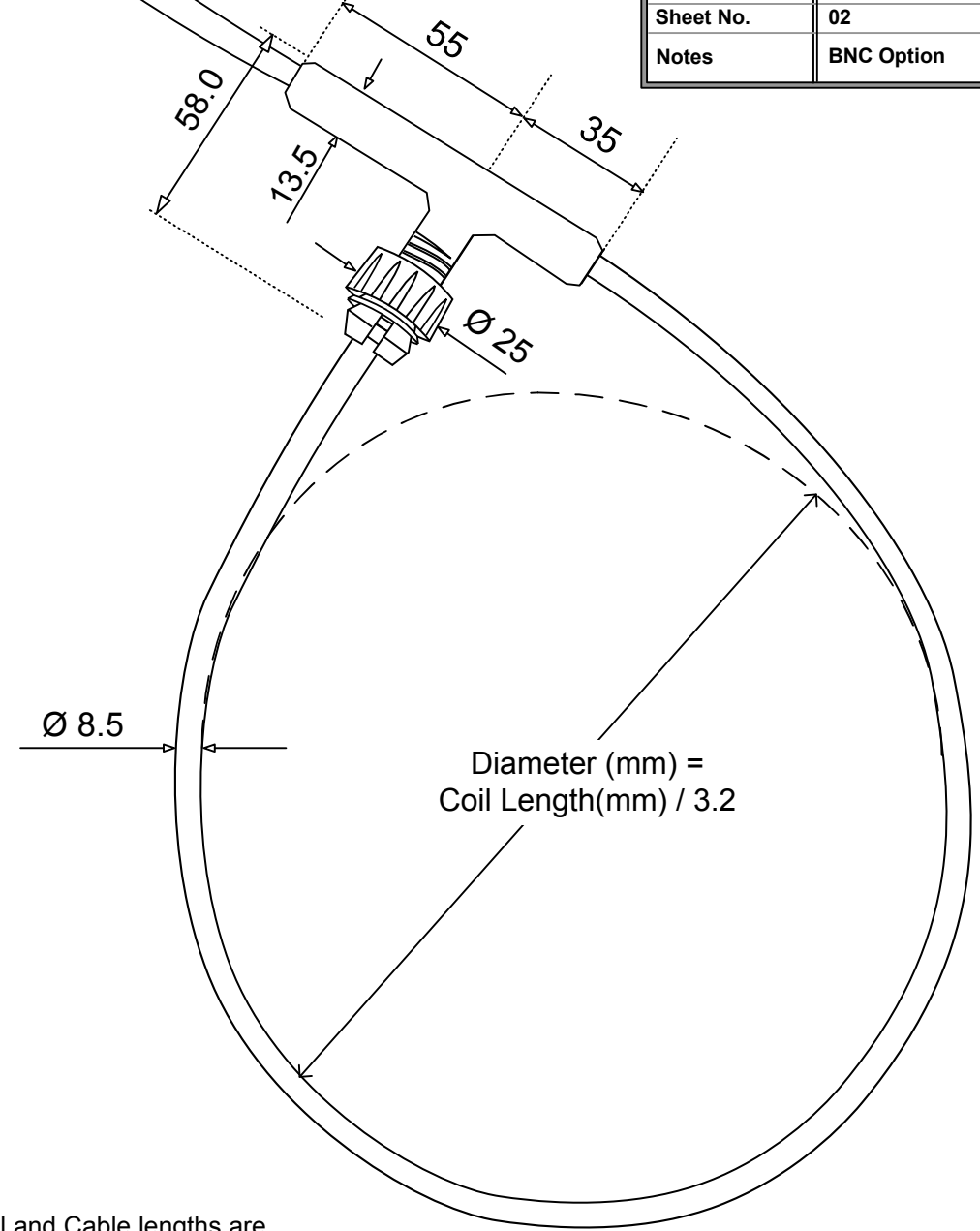
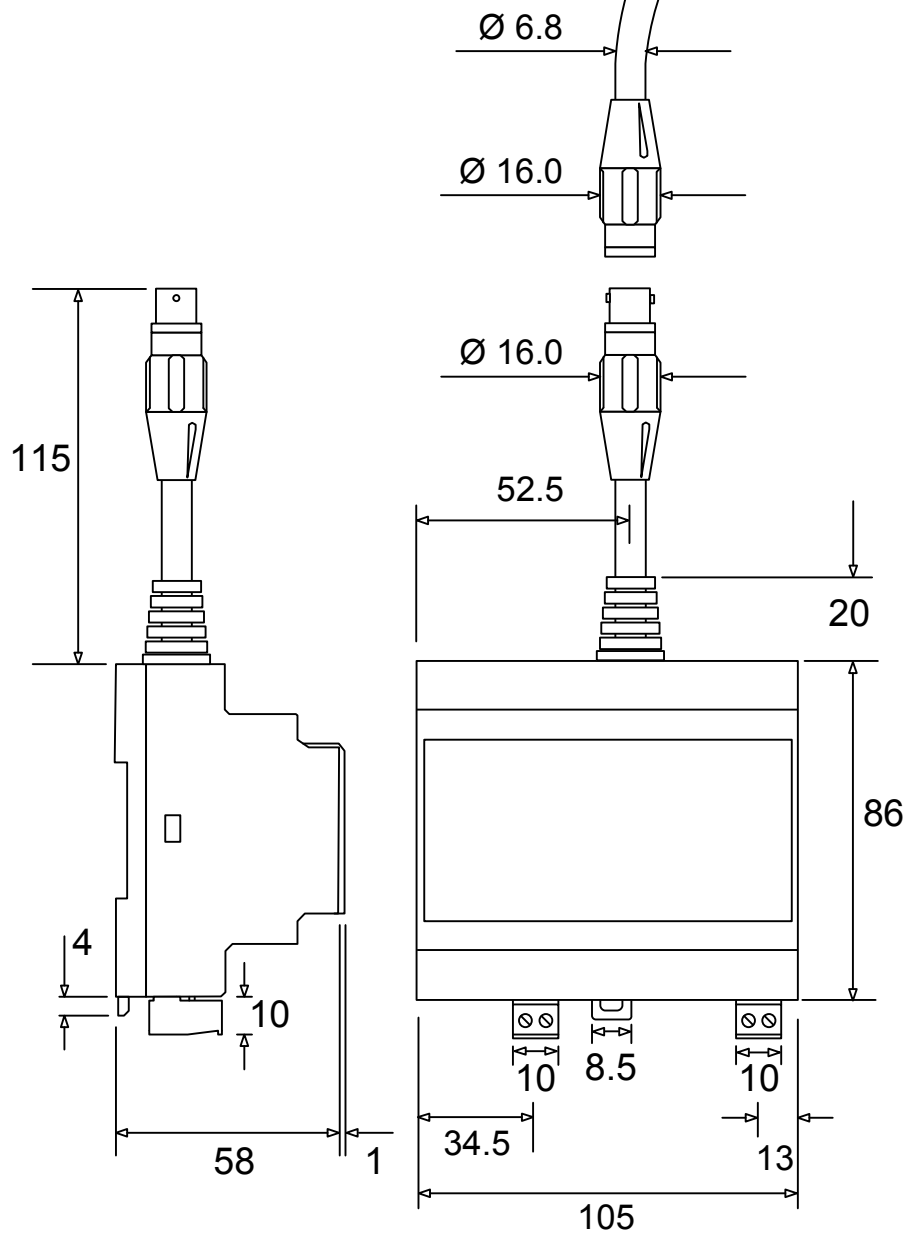
Design file	Dimension Drawing
Product file	RCT1A
Revision date	July 2011
Issue No.	001
Sheet No.	01
Notes	Standard



Coil and Cable lengths are selectable from our standard range or made to specific requirements

**All dimensions mm
Drawing Not To Scale**

Design file	Dimension Drawing
Product file	RCT1A
Revision date	July 2011
Issue No.	001
Sheet No.	02
Notes	BNC Option



Coil and Cable lengths are selectable from our standard range or made to specific requirements

**All dimensions mm
Drawing Not To Scale**