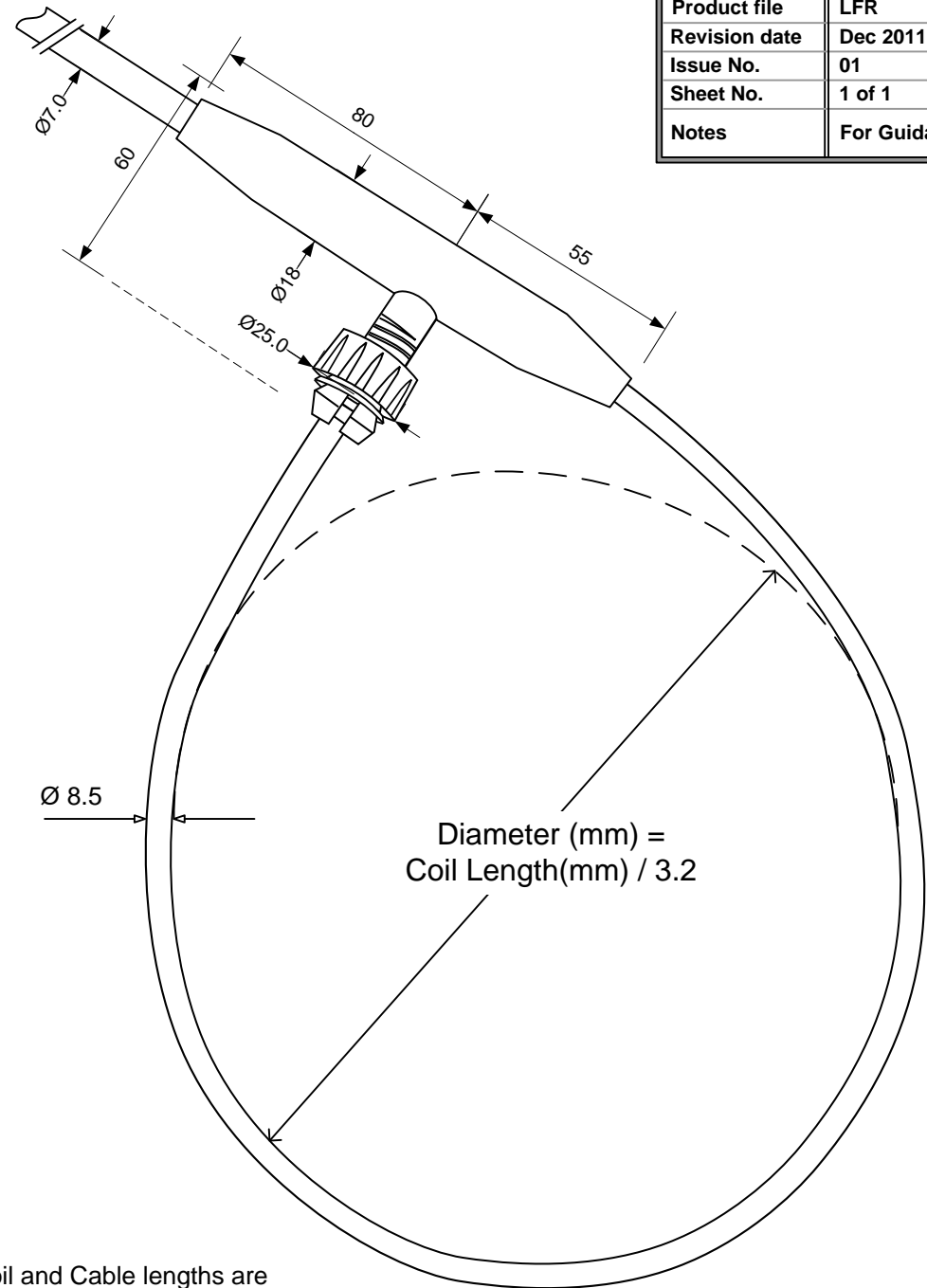
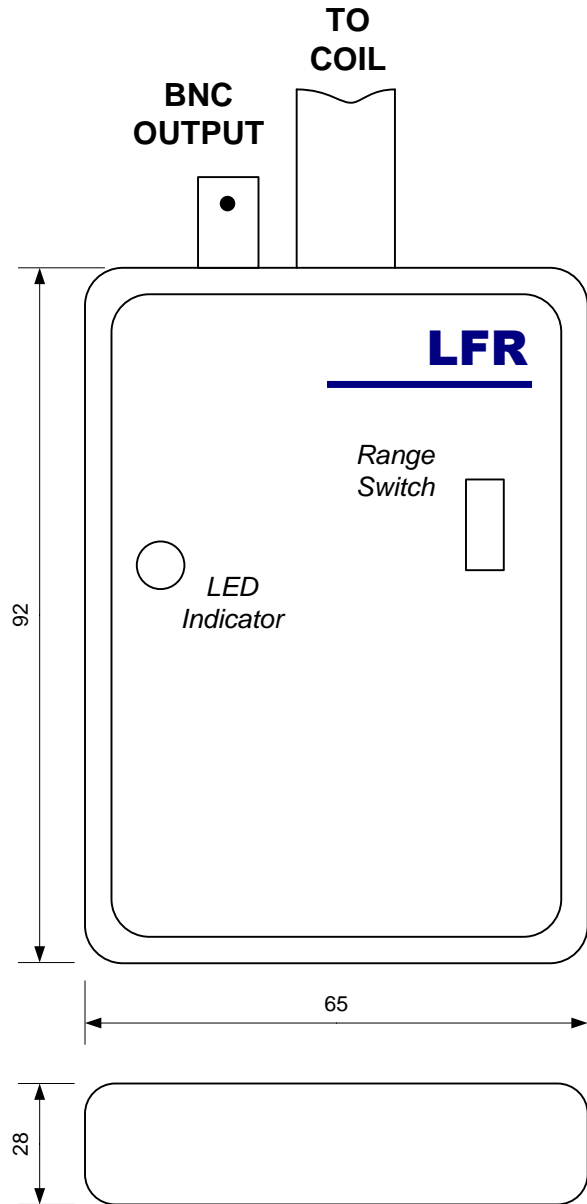


Design file	Dimension Drawing
Product file	LFR
Revision date	Dec 2011
Issue No.	01
Sheet No.	1 of 1
Notes	For Guidance Only



Coil and Cable lengths are selectable from our standard range or made to specific requirements

**All dimensions mm
Drawing Not To Scale**